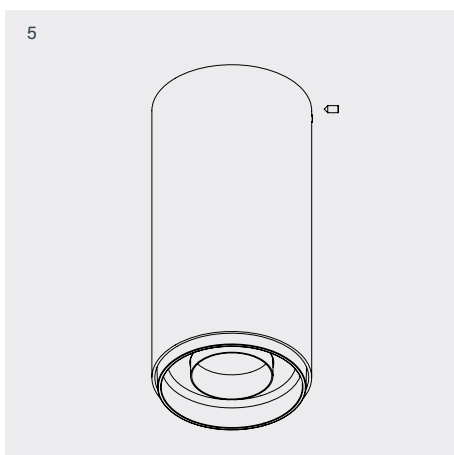
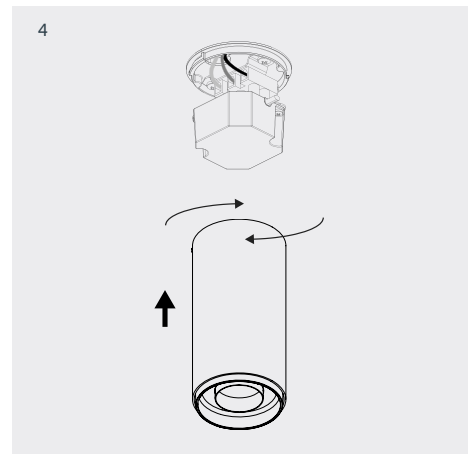
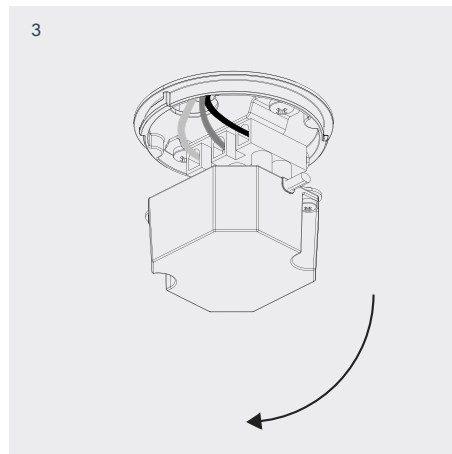
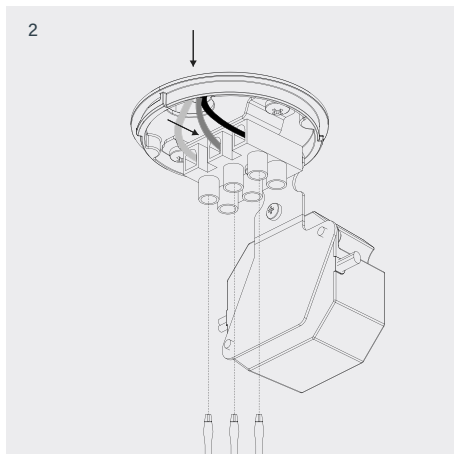
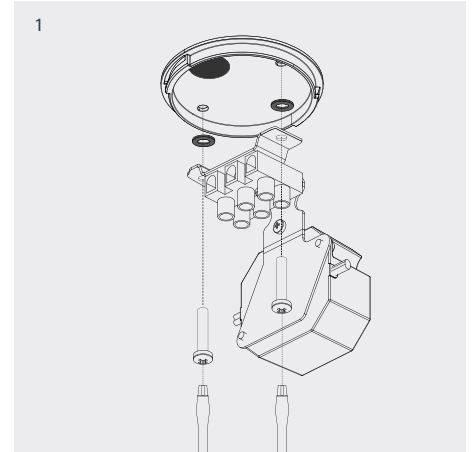
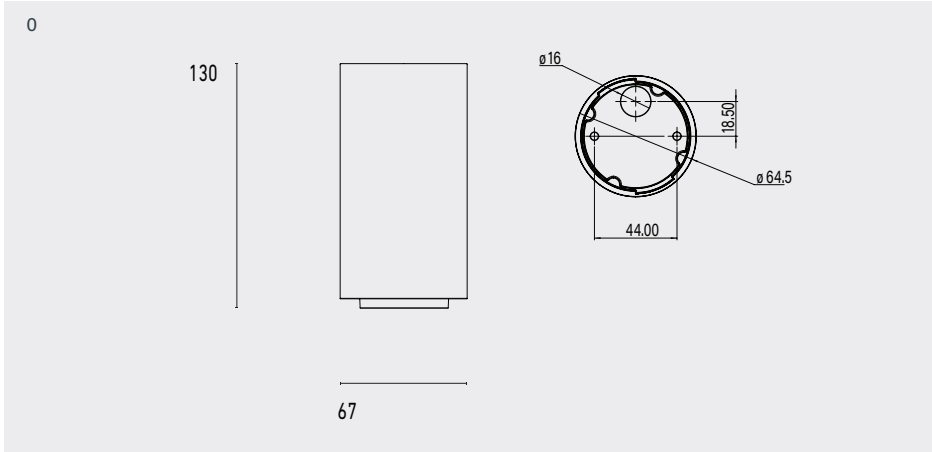


101 06 1012--,-,---  
Mono 060 Surface IP Type 2

LED Power Supply 180mA Included

8W 240V-AC  
Class III  
IP55



- 1 Screw base onto ceiling using supplied gaskets between screw and inside of ceiling base.
- 2 Feed cables through the lid's power entry hole and secure them into the terminal block.
- 3 Fold driver mount bracket to 90 degrees.
- 4 Slide Mono 060 fixture over the ceiling base and rotate to lock into position.
- 5 Fix fixture to ceiling base with grub screw provided.